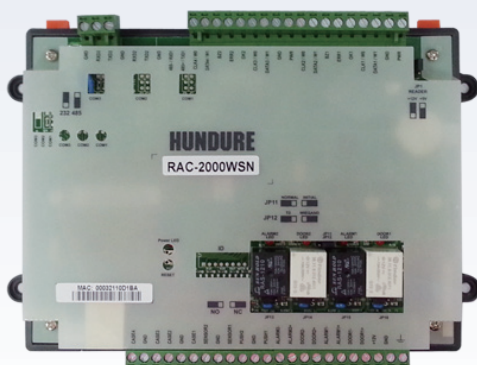


RAC-2000WSN

TCP/IP Two Doors Control Panel

Features



- May connect 4 T2/Wiegand or RS-485 readers for door controlled.
- Support standard Wiegand 26 interface reader and up to Wiegand 72 interface.
- Provide 15,000 cardholders.
- Provide 40,000 transactions.
- Provide 1,000 hardware events.
- Duress card/code setting. When door opened in the emergency, control panel will send signal to control center at the same time for tracing and rescue.
- Provide 128 time zones and schedules
- 8 time conditional unlock door schedules per door, provide flexible management.
- Provide holiday schedules to current and next year. 100 sets per year.
- Three entry modes: card, card with password, input card number.
- Support card number with English alphabet, max. 13 characters.
- Blacklist to prevent unknown usage of lost card.
- Support two-door interlock. When one door is unlocked, the other door automatically locks.
- Anti-Passback function.
- Able remote open or close door by software.
- Support various alarm functions, like door is not closed, forced open door and reader broken.
- Authorizations and swipe card records may save in the panel over 10 years after power off.
- Strengthen electromagnetic compatibility design, it compatibility with Surge test and EFT of EN55024.
- TCP/IP interface may connect with HAMS for access control management.
- Support passive and active TCP/IP communication.

Ordering Information

Package Content:

- RAC-2000WSN x 1
- Quick Start Guide x 1

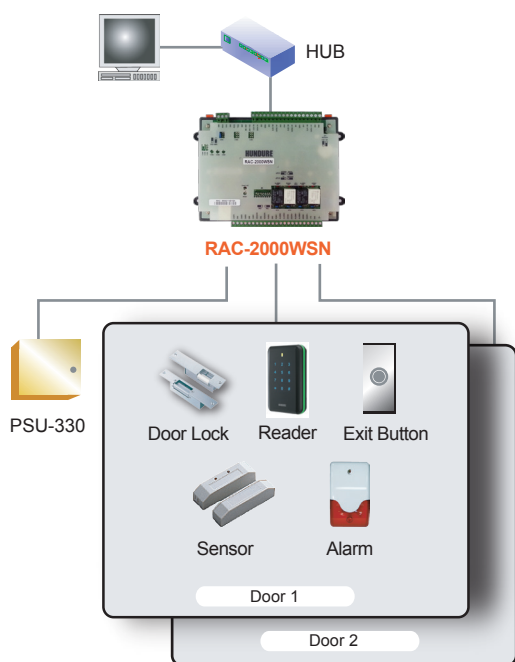
Supported Software:

- HAMS-20 Management System

Optional Accessories:

- PSU-330 Uninterrupted Power Supply
- RS-485 Proximity Reader
- T2/Wiegand Proximity Reader

System Architecture



Specifications

Input Ports	8 sensors (Door Sensor x 2 · Exit Button x 2 · Case Sensor x 4)
Output Ports	4 Relays (Door Lock x 2 · Alarm x 2)
Cardholders	15,000
Transactions	40,000
Hardware Event	1,000
LED Display	Power / Output Status / Comm.
Real Time Clock	Yes
IP Setting	IP tool setting
Reader Port	T2 / Wiegand x 4 or RS-485 x 1
Power Input	DC 12V / 1A (excluding slave reader)
Current Consumption	500mA (max. excluding slave reader)
Comm. Interface	TCP/IP
Comm. Baudrate	10/100 Mbps
Operating Temp	-40°C ~ 70°C / -40°F ~ 158°F
Relative Humidity	20% ~ 80% (Non-condensing)
Dimension	150mm(L) x 210mm(W) x 29mm(H)

* Product design and specifications are subject to change without prior notice.