

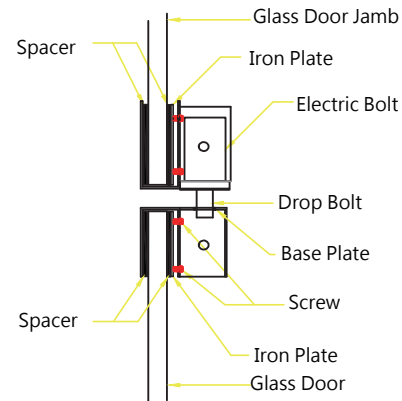
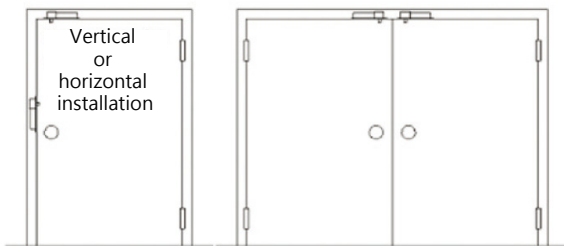
EBL-100 Electric Bolt



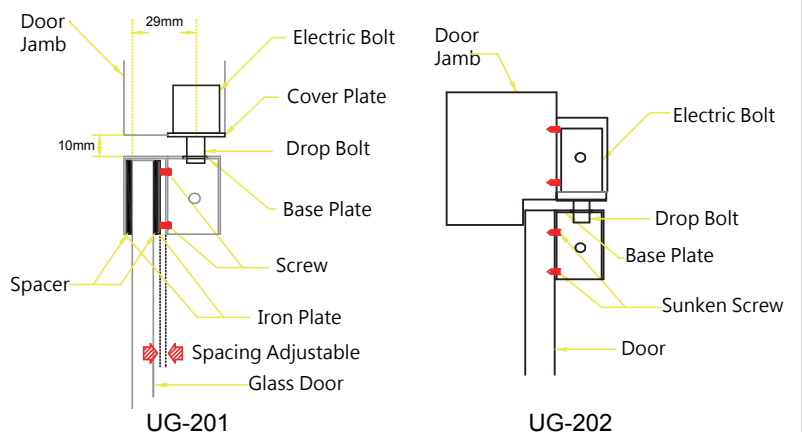
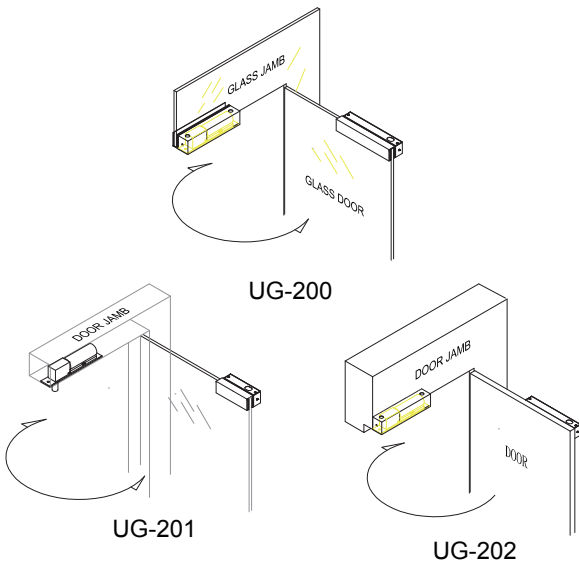
Specification

Model	EBL-100		
Faceplate	Rectangular-shaped		
Suitable	Outswing door, Inswing door and Double swing door		
Control Mode	Power to Lock		
Power Input	12VDC		
Current Consumption	Pull in : 1A , Holding: 0.3A		
Status Output	Bolt status, Door status		
Faceplate material	Aluminum		
Cover material	Stainless steel		
Relock Time Delay	0, 2.5, 5 seconds		
Dimensions of Lock	200L x 34W x 43H mm		
Dimensions of Armature plate	210L x 42W x 0.8H mm		
Weight	0.9 kg		
Optional Brackets	U bracket (UG-200, UG-201) or Plug box(UG-202)		
Model	UG-200	UG-201	UG-202
Material	Stainless steel	Stainless steel	Stainless steel
Dimensions	203L x 59W x 47Hmm	135L x 50W x 38.5Hmm	203L x 38W x 47Hmm

Door Installation



UG-200



* Product design and specifications are subject to change without prior notice.